

Looking After Your Valve Brass Instrument

mouthpiece

Daily - or every time you play

Polish your instrument with the **Silver/ Lacquer Cloth**

Weekly

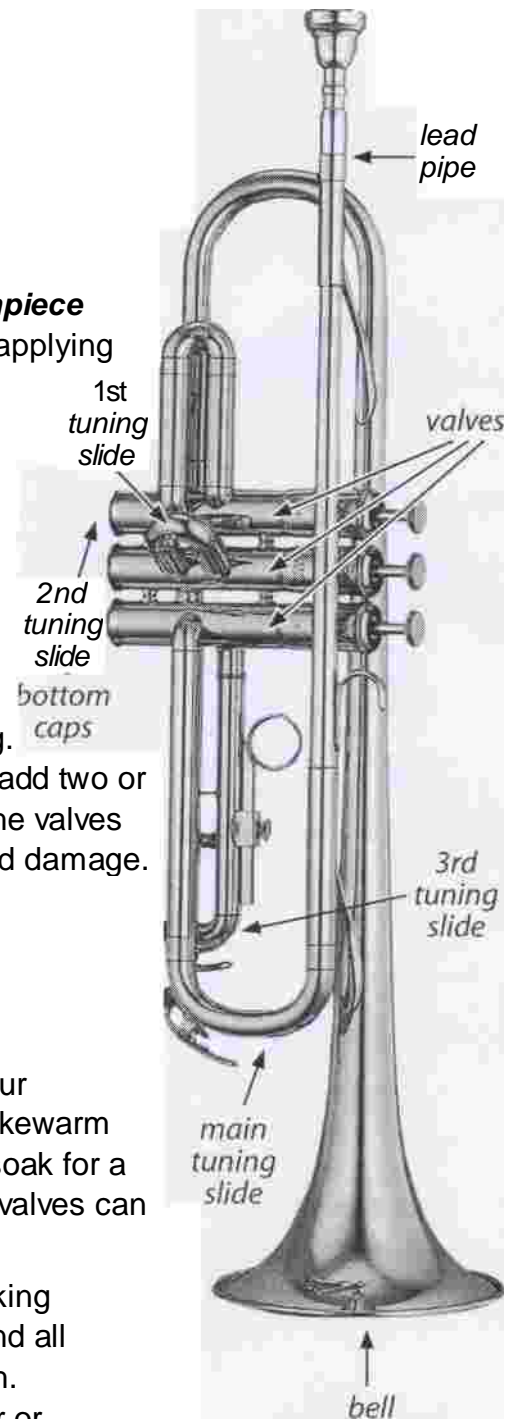
Clean your mouthpiece with warm soapy water using **Mouthpiece Brush** Clean and oil all the valves-wipe the valve dry before applying fresh oil.

Monthly

1. Flush your instrument out with lukewarm water - do not use hot or boiling water as this may damage the finish.
2. Remove the valves and bottom caps and wipe down the valve casings using a lint free cloth not supplied. Screw the bottom caps back on with a little grease to stop them sticking. Wipe down the valves with a lint free cloth not supplied and add two or three drops of **Valve Oil** to them - do not over oil. Replace the valves carefully lining up the valve guide with the guide-way to avoid damage.
3. Grease all the slides with **Slide Grease**.

Every Six Months

1. Remove all the slides, valves and bottom caps and place your instrument and its slides, but not the valves, into a bath of lukewarm water with a mild detergent such as soda crystals and let it soak for a few minutes. Place the valves in a safe place as instrument valves can easily be damaged especially if they are dropped.
2. Clean out the tubing and slides using the **Flexible Brush** taking care not to get the brush stuck as the brush will not go around all of the bends. Rinse thoroughly and dry with a clean soft cloth. Grease the slides using **Slide Grease** as this will not discolour or set hard. Carefully reassemble your instrument and wipe away any excess grease to protect the instrument finish.
3. Wipe away any excess grease that may be around the joints or valve group and polish your instrument with the **Silver/ Lacquer Cloth**.



If you have any doubts or queries please consult you teacher or repairer.